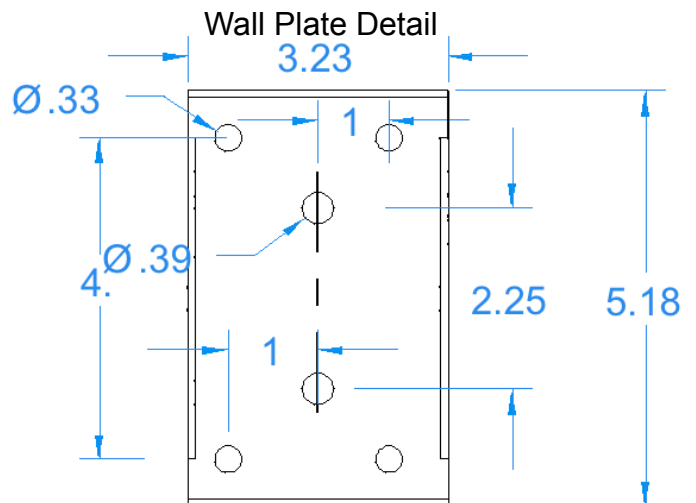
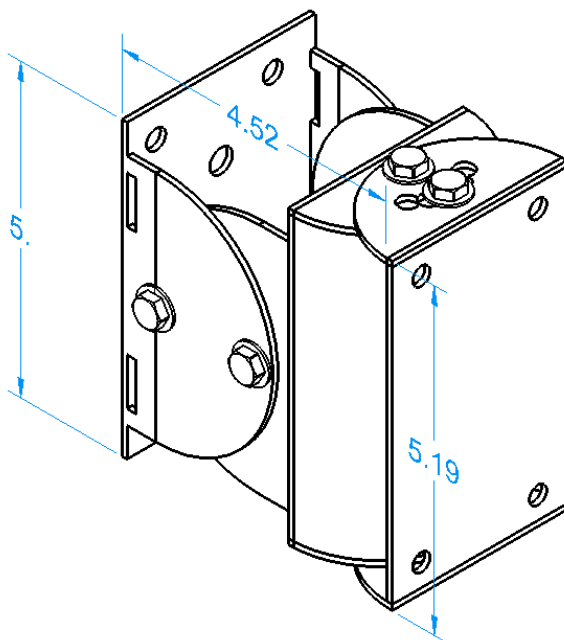


Vienna/Paris Stainless Wallmount Bracket

The Vienna/Paris Stainless Wallmount bracket shares the same locked position design as the larger AS Series wallmount. For each axis of rotation, pan and tilt, there are two bolts. One bolt is the pivot point for the bracket and the second bolt sets the angle of rotation. Once a speaker is set in a position, there will never be any sag or droop as often happens with friction based mounting systems. The Vienna/Paris stainless bracket will hold position regardless of wind-load or other environmental factors.

There are two mounting hole patterns on the wallmount plate allowing the installer to choose between two 3/8" bolt points or four 5/16" bolt points. There are also slots so the bracket can be strapped to a pole using appropriate stainless steel banding or strapping.

Constructed completely out of stainless steel with stainless steel hardware, the Vienna/Paris wallmount is designed for permanent outdoor installation.



- Pan positions:** -44°, -22°, 0°, 22°, 44°
Tilt Positions: 0°, -15°, -30°, -45°, -60°
Dimensions: 5 x 4.5 x 3.25" / 12.7 x 11.4 x 8.3cm
2.6 lb. / 1.2kg