

Vernal Stainless Wallmount Bracket

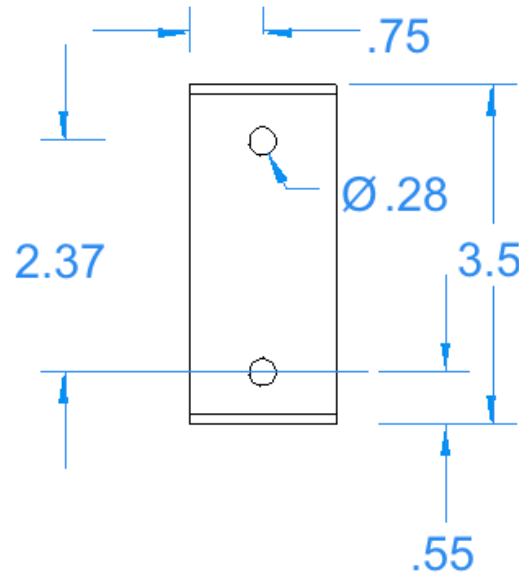
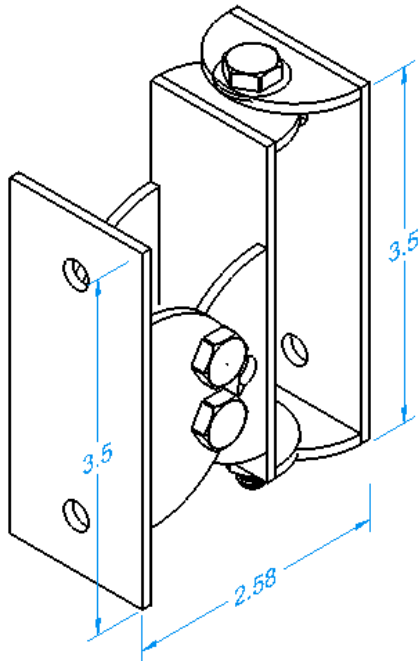
The Vernal Stainless Wallmount bracket shares the same locked position design as the larger AS Series wallmount. For the vertical tilt rotation, there are two bolts. One bolt is the pivot point for the bracket and the second bolt sets the angle of rotation. For the horizontal axis of rotation, there is one bolt, allowing the speaker to be freely positioned. Once a speaker is set in a position, there will never be any sag or droop as often

happens with friction based mounting systems.

The Vernal stainless bracket will hold position regardless of wind-load or other environmental factors.

There are two mounting holes on the wallmount plate.

Constructed completely out of stainless steel with stainless steel hardware, the Vernal wallmount is designed for permanent outdoor installation.



Wall Plate Detail

- Pan positions:** -44 through 44°
Tilt Positions: 0, -15°, -30°, -45°
Dimensions: 3.5 x 2.58 x 3.5" / 8.3 x 6.5 x 8.3cm
1.5 lb. / .7 kg